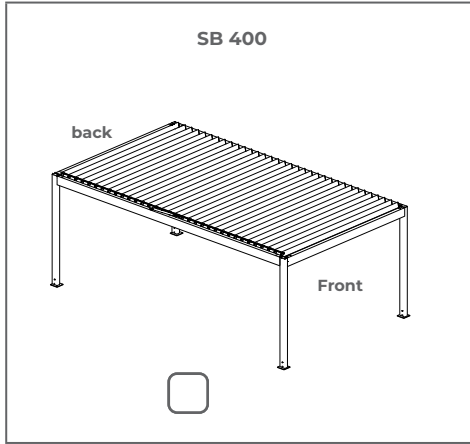
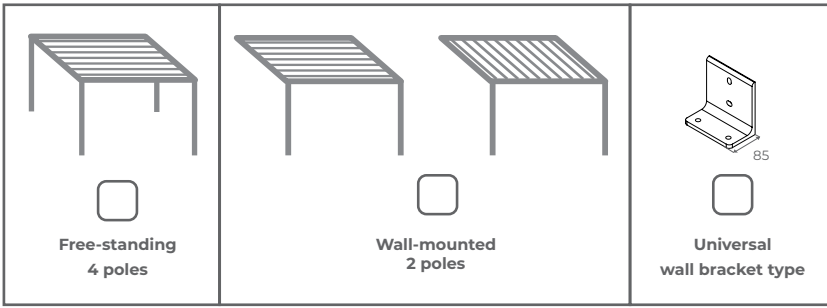


1. Model SB 400

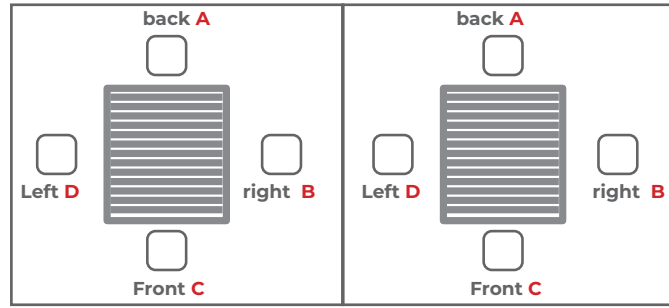


2. Variant of pergola

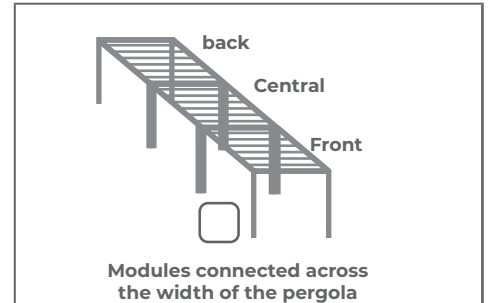
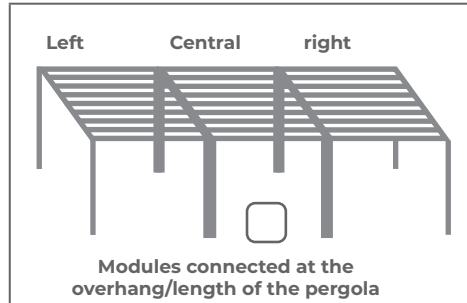
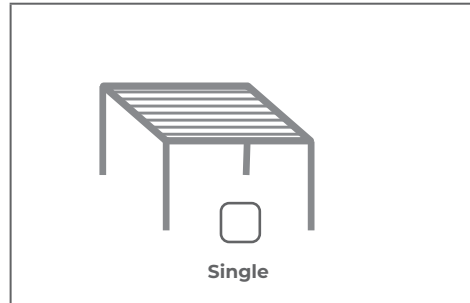


Wall attachment side

Drainage side



3. Is the product in modular version?

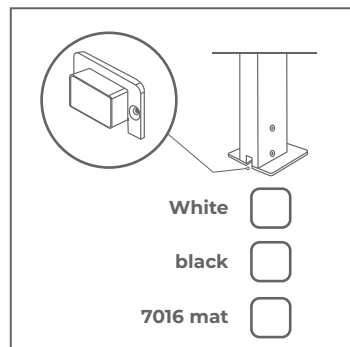


4. colours

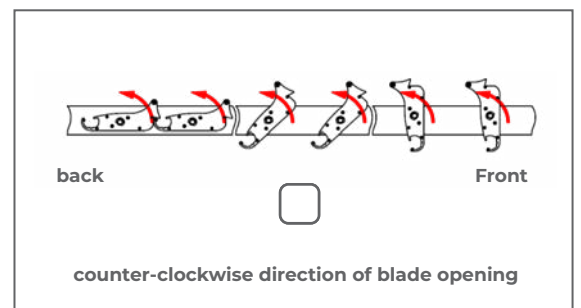
Construction	Blades
<input type="checkbox"/> Ral 9016 mat	<input type="checkbox"/>
<input type="checkbox"/> FSM 71319 struktura	<input type="checkbox"/>
<input type="checkbox"/> RAL 7016 mat	<input type="checkbox"/>
Other RAL* Construction	
<input type="text"/>	
Different colour RAL* Blades	
<input type="text"/>	

* at extra charge

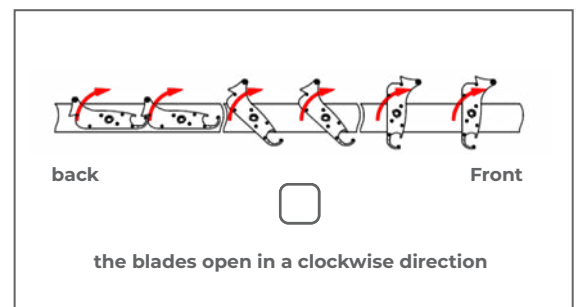
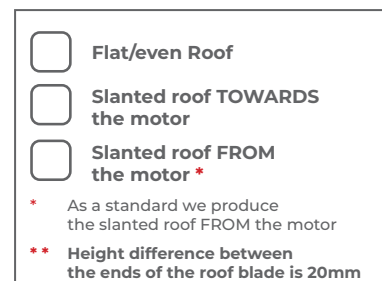
5. The colors of the mask



6. Direction of blades opening



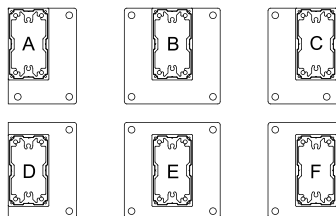
7. Roof Slant



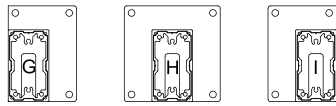
7. Feet:

7. Enter the type of foot in the appropriate white boxes for every ordered module (max. 4 on one form)

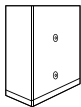
Feet without drainage



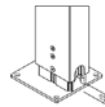
Feet with drainage



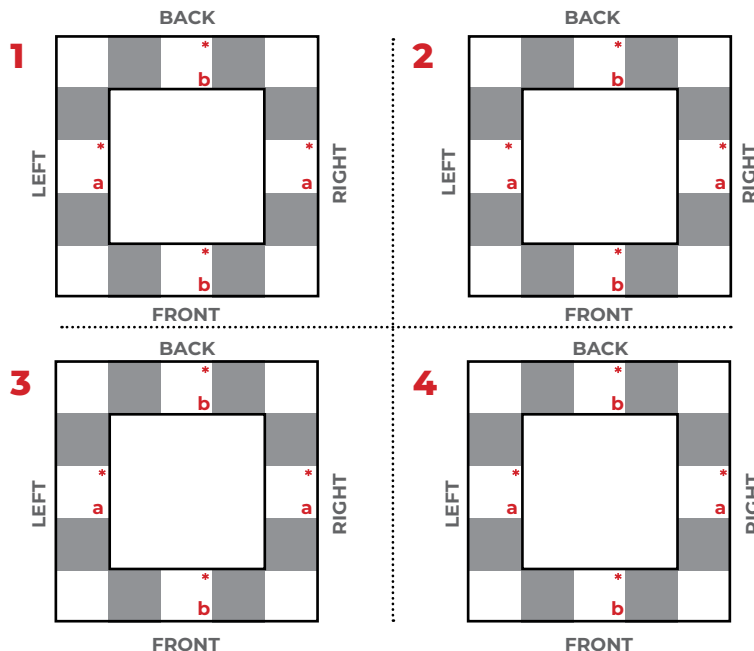
DIRECTION OF WATER DRAINAGE



Z-FLUSH FOOT

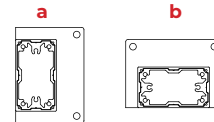


R-ADJUSTABLE FOOT



ADDITIONAL POLES AT EXTRA CHARGE, WITHOUT DRAINAGE

ADDITIONAL POLES ORIENTATION



*** DISTANCE BETWEEN POLES INTERMEDIATE POLES LEFT AND RIGHT CLEARANCE TO REAR POLE

INTERMEDIATE POLES FRONT AND REAR CLEARANCE TO THE LEFT-HAND POST



IN THE WALL MOUNTED VERSION, WITHOUT E.G. REAR POSTS, THE DISTANCE MEASURED FROM THE INTERMEDIATE POLE TO THE END OF THE PERGOLA

8. Dimensions

No.	Width max 4000 mm	Overhang/length max 7000 mm	Clear height max 2800 mm	Engine side left/ right	Wall attachment side left/right front/rear	Drainage side left/ right front/rear	Module: 1.single 2.left/centre/right 3. front/centre/rear	Intermediate pole left/ right front/ rear	Intermediate pole SYMMETRICALLY  or specify the distance of the intermediate column ***
1									
2									
3									
4									

9 Controlling

- Engine Picolo 230V 0-90°
- Engine Pergola 24V 0-120°
- Pergola 12 V motor + SOLAR set
- Somfy slim RTS
- Somfy slim IO
- Elero Combio 868
- Somfy IO Louver
- Remote control 5k RTS
- Remote control 5k IO
- Remote control 5k Elero
- Remote control 5k IO

Additional Revision in the beam behind the engine

10. led lighting

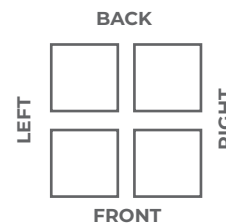
- Led strip around inner perimeter of pergola (4000-4500K)
- LED 3200K COB
- LED 4000K
- Light points in the blades* 3300K

* radio receiver compatible with selected control unit included in price

11. Led control

- Mi light + Pilot (w cenie)
- Somfy white Led Receiver IO
- Somfy Lighting Slim Receiver RTS
- Elero Combio 868 LI

12. Led power supply mounting mounting pol



Additional automation, remote controls/sensors, etc.

Elero Combio 868 LI

Delivery address

Notes

The Buyer declares that he is fluent in English, understands the statements made and received in English. He understands his order and has read and accepts the General Terms and Conditions of Sale, the General Terms and Conditions of Guarantee and the Technical and Operational Documentation and the Declaration of Performance. For outdoor systems, the Declaration of Conformity and for motorised systems and the information for the installation of the safety components for indoor chain and cord systems, available at: www.selt.com/dte-en

Signature

Orderer

Date